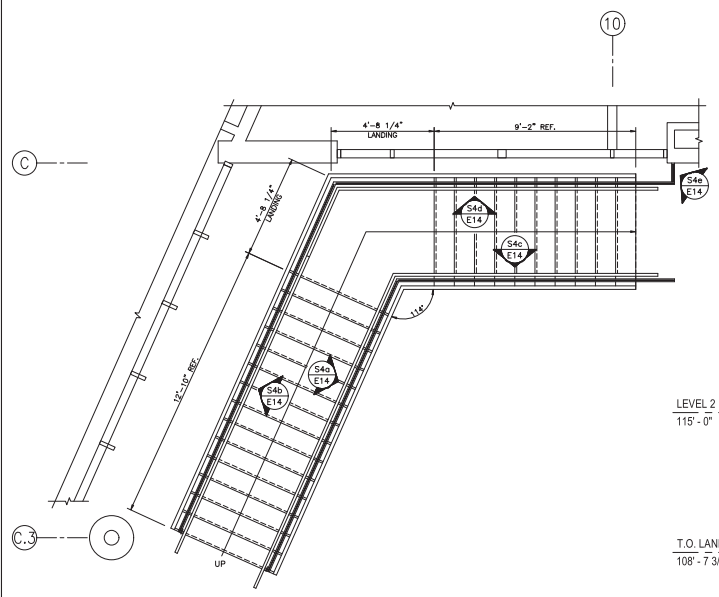
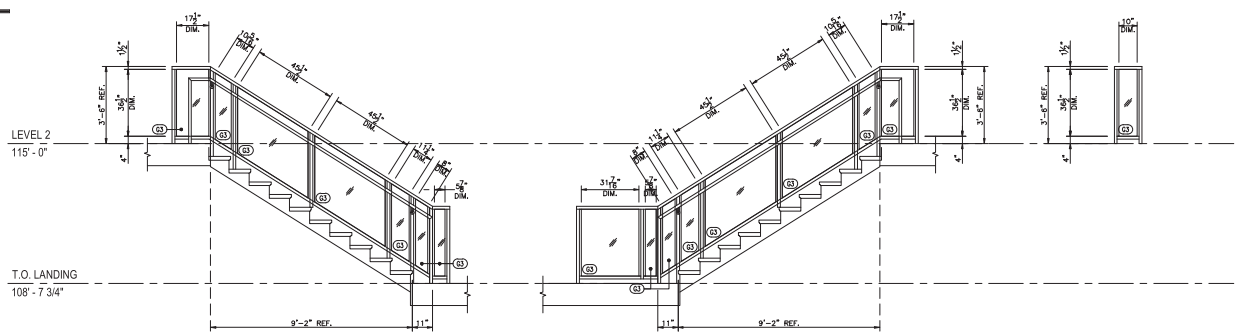


**ELEVATION TYPE "S4a"**  
1 required as shown

**ELEVATION TYPE "S4b"**  
1 required as shown



**STAIR TYPE "S4" (STAIRCASE #4)**  
1 required as shown



**ELEVATION TYPE "S4c"**  
1 required as shown

**ELEVATION TYPE "S4d"**  
1 required as shown

**ELEVATION TYPE "S4e"**  
1 required as shown

REVISIONS	
NO.	DATE

PROJECT NAME: -	
ADDRESS: -	
ARCHITECT: -	
CONTRACTOR: -	
GLASS RAILING ELEVATIONS	
JOB NUMBER: -	DRAWN: ARD
DATE: 11-03-20	CHECKED BY: RR
SCALE: 3/8"=1'-0"	
SHEET NO.	

GLASS COMPANY

ARCH/G.C.: PLEASE FIELD  
VERIFY ALL DIMENSIONS

E14