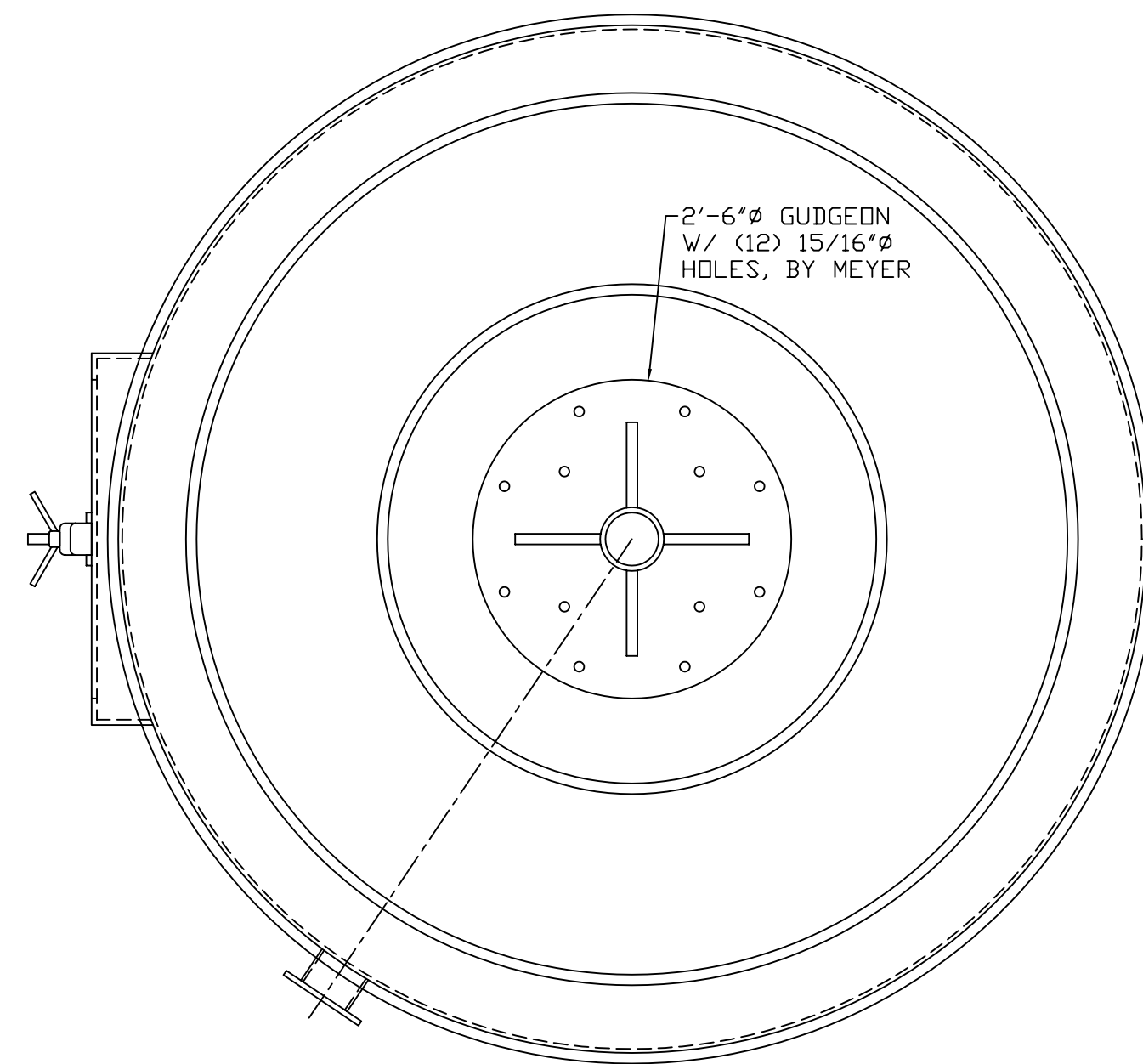
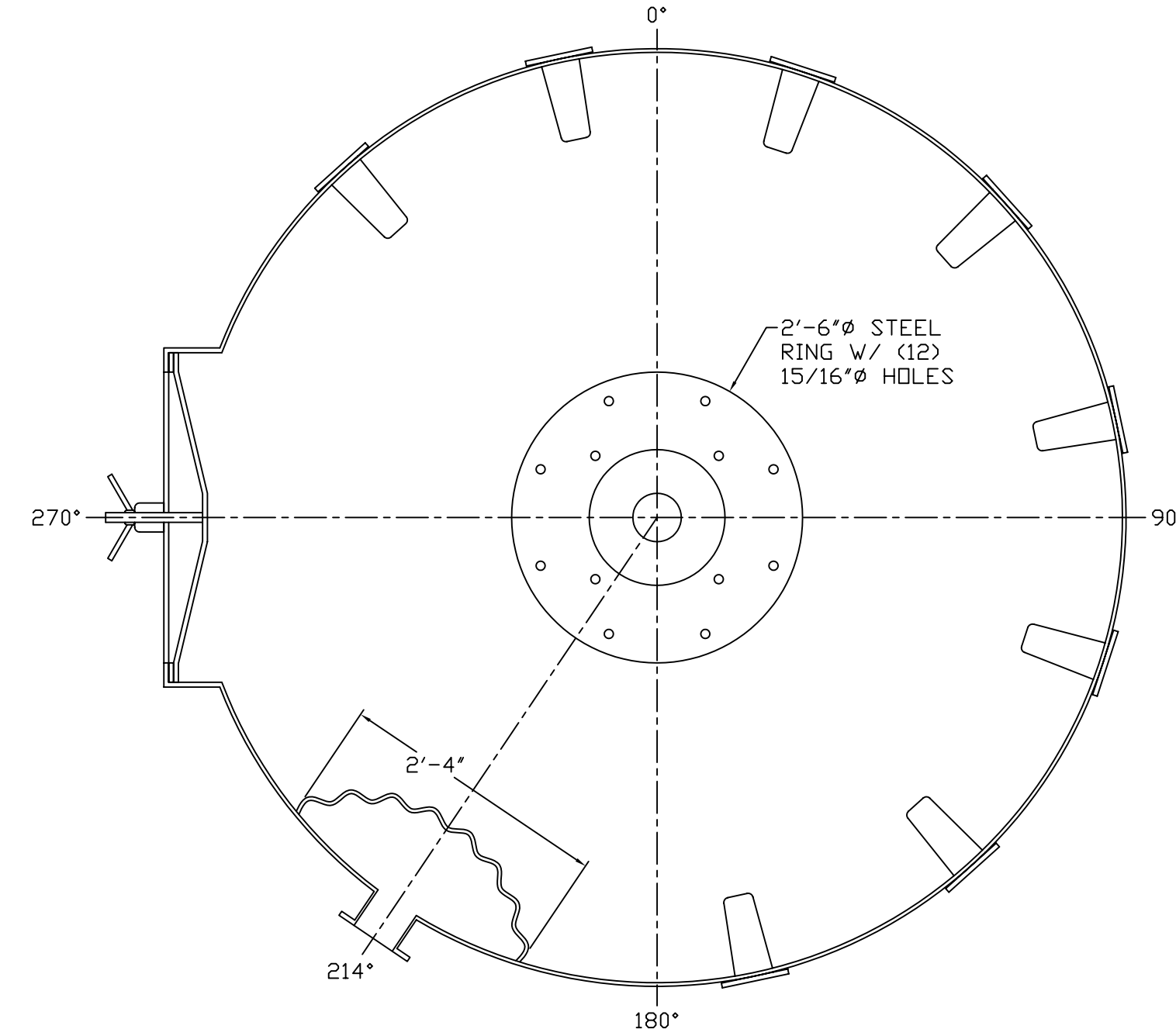


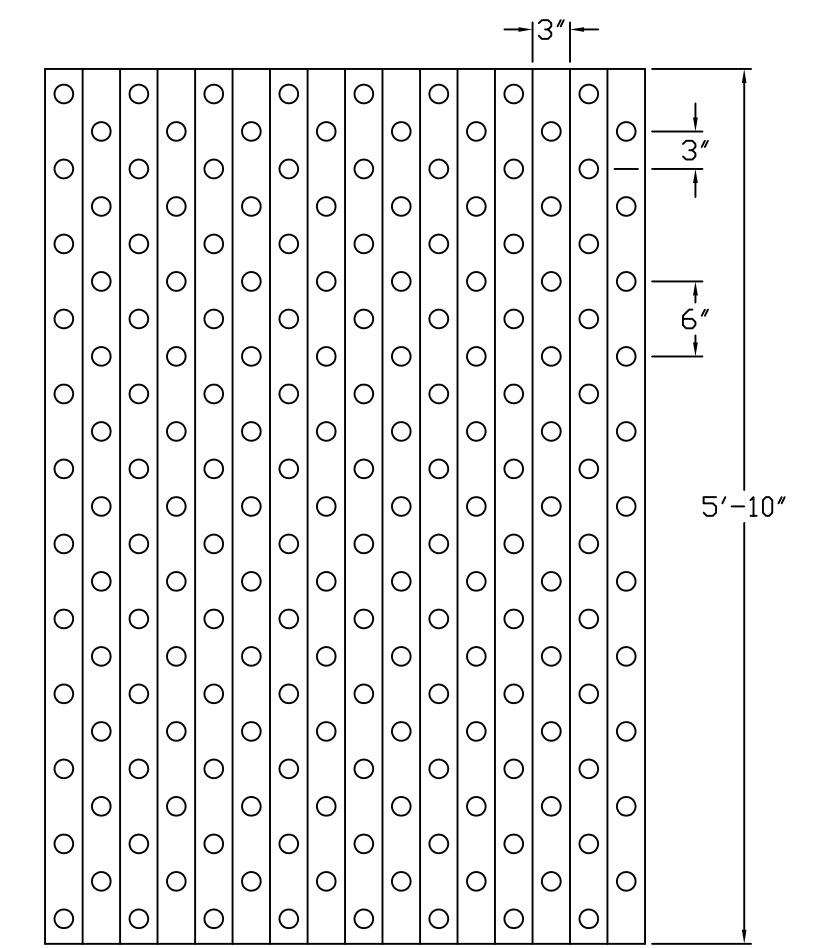
SIDE VIEW
SCALE: 3/4"=1'



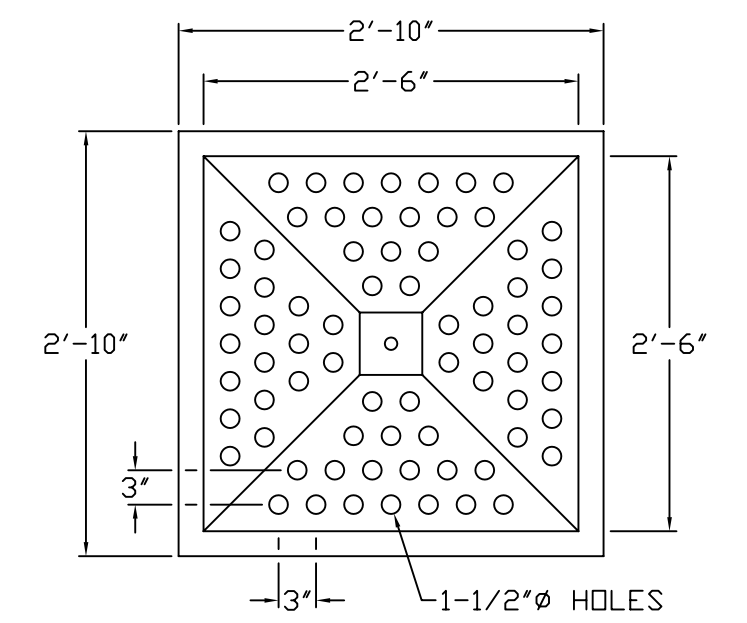
END VIEW
SCALE: 3/4"=1'



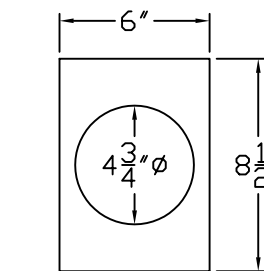
SECTION A-A
SCALE: 3/4"=1'



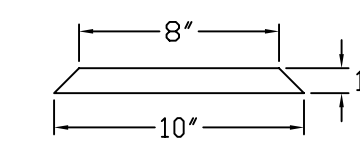
WASH RACK DRILLING DETAIL
APPROX. (184) 1-1/2" Ø HOLES
SCALE: 3/4"=1'



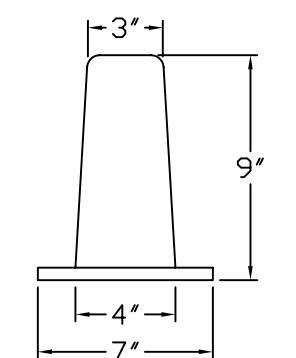
WASH DOOR DRILLING DETAIL
(72) 1-1/2" Ø HOLES
SCALE: 3/4"=1'



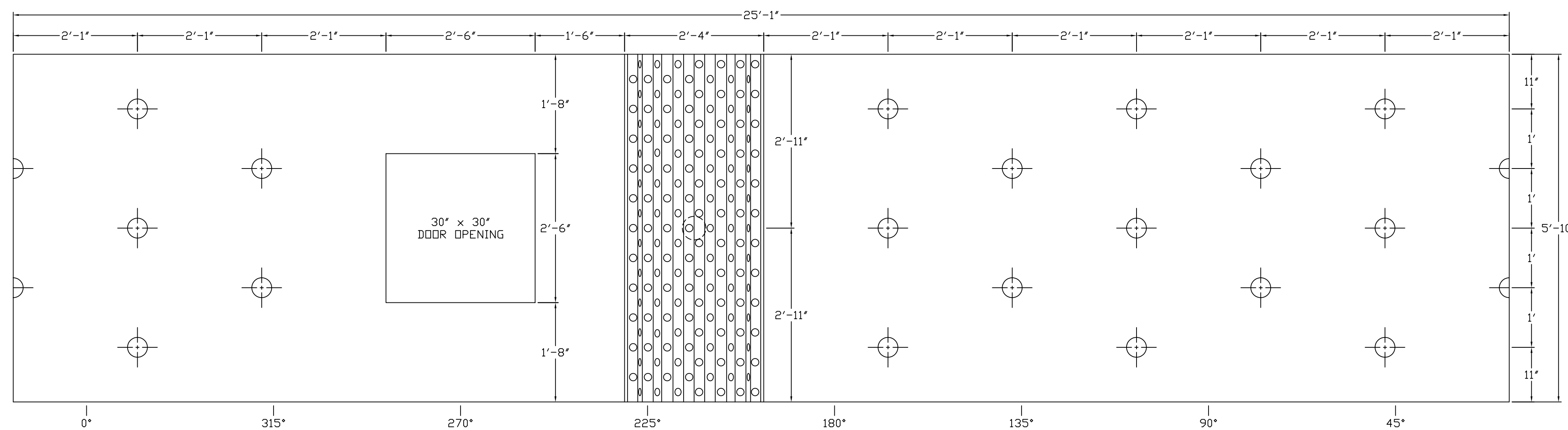
WASH PORT FLANGE DETAIL
SCALE: 1-1/2"=1'



BELT TRACK DETAIL
SCALE: 1-1/2"=1'



PIN DETAIL
SCALE: 1-1/2"=1'



PIN SPACING DETAIL
SCALE: 3/4"=1'

- NOTES:
- 1) RESIN: HETRON 197P FOR CORROSION BARRIER W/ DION 6631T FOR STRUCTURAL LAYERS.
 - 2) COLOR: SAFETY ORANGE.
 - 3) TWO DOORS TO BE FURNISHED, ONE SOLID DOOR W/ HANDLES & ONE WASH DOOR W/ 1-1/2" Ø HOLES.
 - 4) GUDGEONS TO BE FURNISHED BY RICHARD E MEYER & SONS, HARDWARE TO BE FURNISHED BY EMPIRE FIBREGLASS. (24) 7/8"-9x7"L S/S HHCS W/ WASHER & LOCK NUT.

REV	DATE	REVISION
1	06/03/03	UPDATED DRUM LENGTH.

FOR:	
SERVICE:	8" DIAMETER 5' 10" LONG FRP MILL (INSIDE DIMENSIONS)
DWG:	JTS DATE: 06/03/03 PROJECT:
CHK:	DATE:
SIZE:	D REV: 1 DRAWING NO:
SCALE:	3/4"=1' RM-05-19-03